



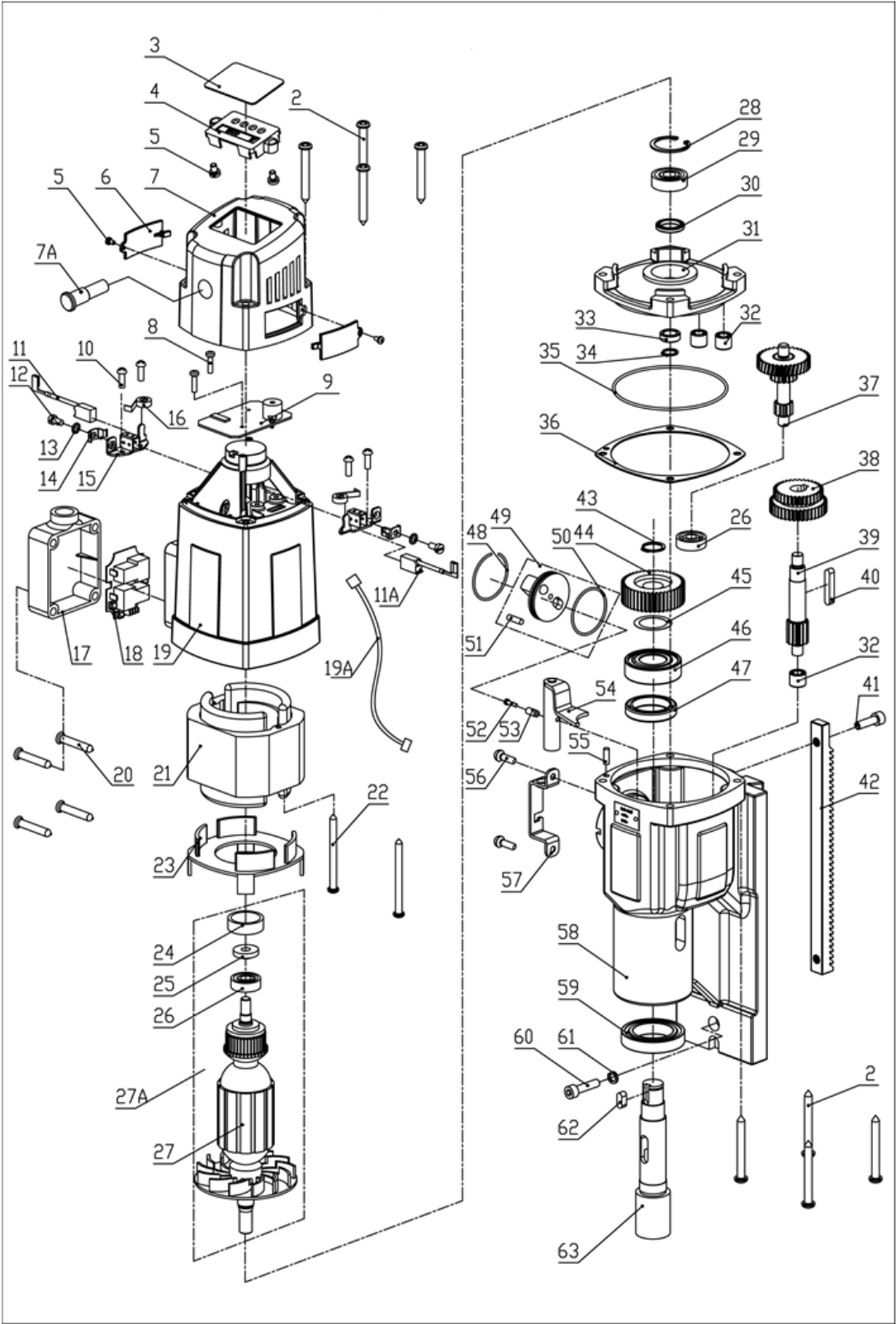
Magnetic drilling machine  
*with 2-way electromagnet*

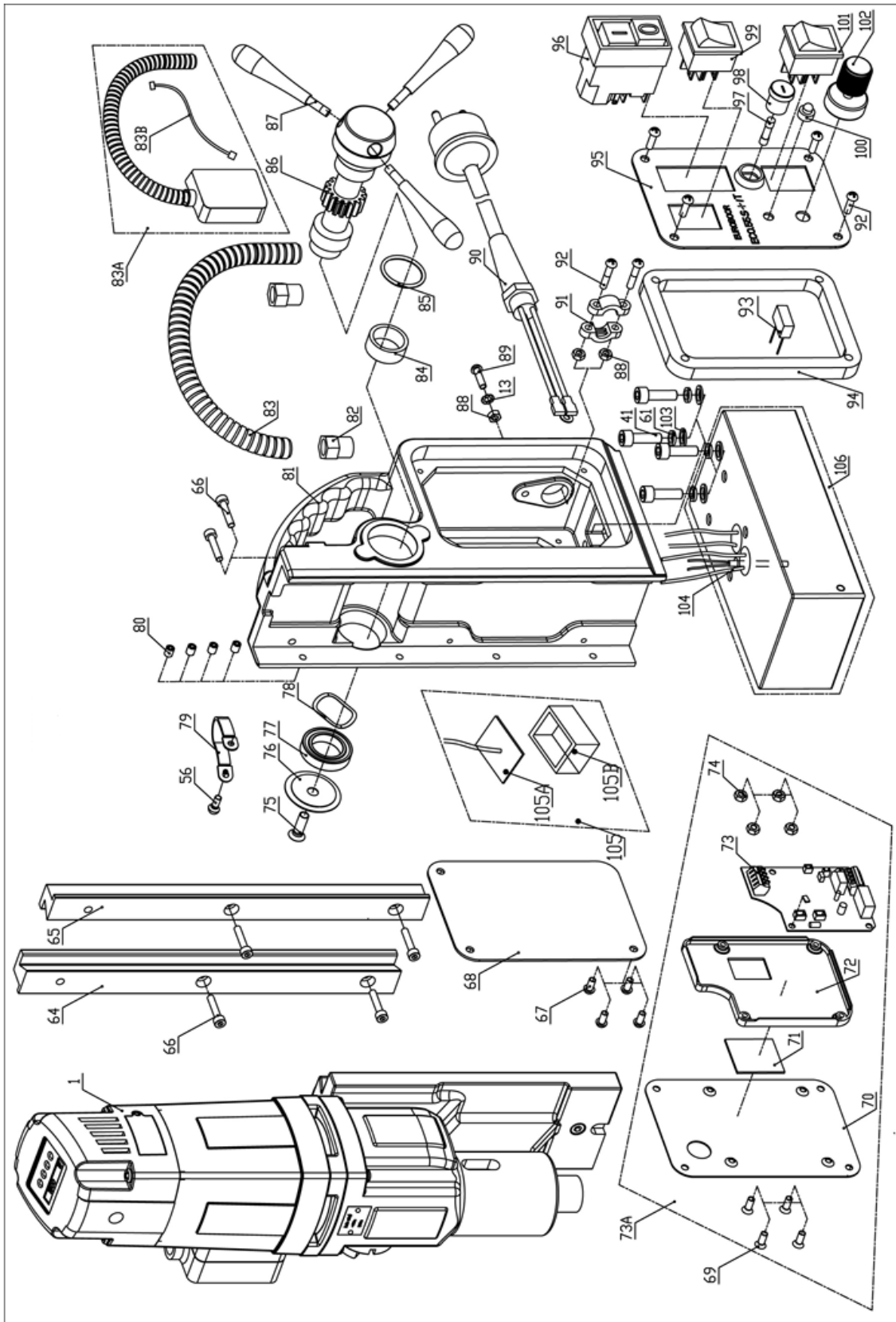
**ECO.55** S+/T

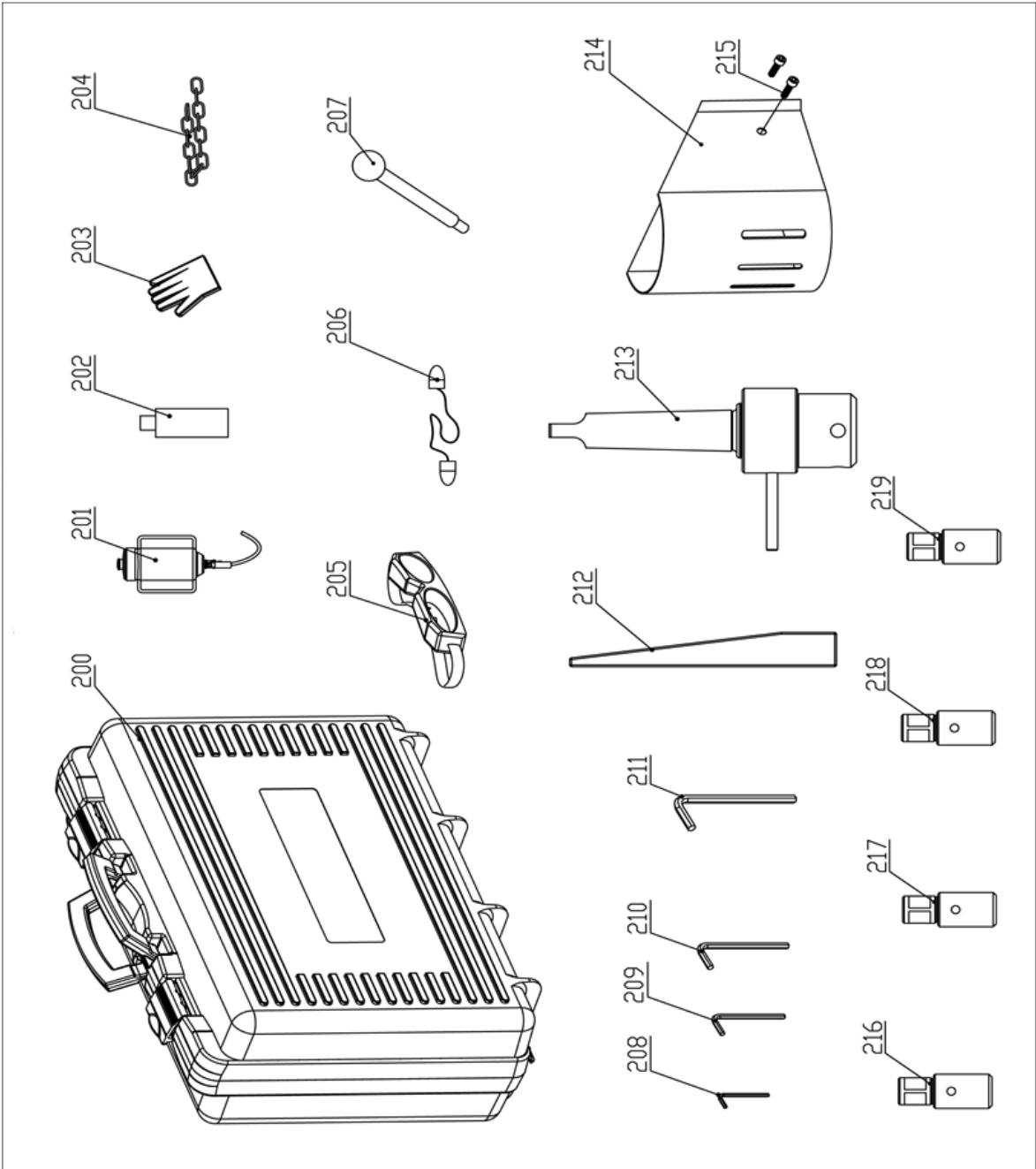


# 8. Exploded views & spare parts list

## 8.1 Exploded views







## 8.2 Spare parts list

No.	Part no.	Description	Qty
1	055T.1001Z	ECO.55S+/T motor unit 220V ext. cable	1
	055T.1001ZA	ECO.55S+/T motor unit 110V ext. cable	1
2	050.0106	Screw 4.8 x 45	8
3	050.0059	Protective cover 53x35	1
4	050.1013	LED screen	1
5	050.0060	Screw M3 x 5	6
6	050.0133	End plate	2
7	050.0130Z	End cover 110-220V	1
7A	P020.0278	LED indicator set 220V	1
	P020.0278A	LED indicator set 110V	
8	032T.0019XA	Screw M3 x 8	2
9	055T.0010	Control unit 2 220V ECO.55-T	1
	055T.0010A	Control unit 2 110V ECO.55-T	
10 12- 16	055.1029	Carbon brush holder	2
11(A)	Carbon.55+	Carbon brush set 220V	1
	Carbon.55A+	Carbon brush set 110V	
17	050.0586	Cable housing	1
18	050T.0002	Control unit 1 220V	1
	050T.0003	Control unit 1 110V	
19	050.0131	Housing	1
19A	CS050T.0342	Cable set	1
20	050.0587	Screw 5 x 30	4
21	050T.0278	Field 220V	1
	050T.0278A	Field 110V	
22	020.0328	Screw M4 x 70	2
23	050.0261	Baffle	1
24	050T.0346	Rubber ring	1
25	050T.0180	Ring magnet	1
26	032.0126	Bearing 608ZZ 8x22x7	1
27A	050T.0183	Armature 220V	1
	050T.0183A	Armature 110V	
28	032.0166	Circlip 472/28/1.2	1
29	050.9070	Bearing 6001V V	1
30	050.0064	Oil bearing 15 x 21 x 3	1
31	050.0236/Y	Inner gear plate	1
32	040.0161	Needle bearing HK0810	3
33	050.0065	Metal ring Ø40	1
34	100.0571	Circlip 471 11 x 1	1
35	050.0071	O-ring 82 x 1.8	1

No.	Part no.	Description	Qty
36	050.0207	Gasket middle	1
37	050.0252	Gear assembly	1
38	050.0171	Gear 34/40Z	1
39	050.0231	Axle 13T	1
40	040.0301	Key	1
41	020.0156	Bolt M6 x 20	1
42	050.0074	Rack - 1.5X39T	1
43	050.0076	Circlip Ø20	1
44	050.0463	Gear 1 x 45T	1
45	050.0462	Washer 20.5 x 28 x 0.2	1
46	030E.5034	Bearing nsk 6004 ddu	1
47	050.0066	Oil bearing 28 x 38 x 7	1
48	050.0078	Ring 41.5 x 36.5 x 1.5	1
49	050.1014	Gear switch	1
50	050.0081	O-ring	1
51	050.0025	Pin 4 x 10	1
52	020.0329	Screw M4 x 16	1
53	050.0082	Screw holder	1
54	050.1005A	Clutch shaft	1
55	032.0211	Casing pin 4 x 12	1
56	KSP.MS	Screw M5 x 10	3
57	KSP.M/3	Tank holder	1
58	050.1015	Gear casing ECO.55- series 110V / 220V	1
59	050.0068	Bearing 61906 DDU	1
60	020.0146	Screw M6 x 25	1
61	020.0111	Washer M6 DIN7980	1
62	050.0077	Key 6 x 6 x 12	1
63	050.0461	Spindle drive shaft 34 x 146 #3	1
64	020.0086/Z	Rail set Aluminium (L/R) Z-profile	1
65			
66	100.0022	Bolt M5 x 20	6
67	020.0101	Panel screw BKVZ M4 x 8	4
68	PP.RSEU-220	Rear Panel EB 220V	1
	PP.RSEU-110	Rear Panel EB 110V	
73A	055T.1028-B	Speed control unit 220 Volt	1
	055T.1028A-B	Speed control unit 110 Volt	
75	020.0081	End screw BKVZ M6x16	1
76	050.0030	Ender cover Ø36X3	1
77	050.0063	Bearing 6804 ZZ	1
78	040.0023	Washer	1
79	020.0298	Motor cable clamp	1
80	020.0056/S	Screw SS M5 x 6	4
81	020.0056/Z	Frame aluminium rail (Z)	1
82	020.0041	Coupling nut PG9 (motor cable)	2

No.	Part no.	Description	Qty
83	020.0046	Motor cable cover incl. coupling nut	1
83A	055T.1014-B	Motor cable	1
83B	CS050T.0341/2	Cable set 1608 ->	1
84	032.0127A	Bearing 110 - 220 Volt	1
85	030.0027	Washer	1
86	020.0061/Z	Capstan hub assembly	1
87	020.0315	Arm for capstan	3
13	020.0182	Grounding screw/washer/nut	1
88			
89			
90	030.B125	Main cable 220V EU	1
	020.0036/AU	Main cable Australia	
	020.0036/UK	Main cable UK 220v	
	020.0036/UK 110-16A	Main cable UK 110v 16A	
	030.B125A	Main cable USA	
	020.0031	Coupling nut PG11 (main cable)	1
88	020.0037	Cable clamp complete	1
91			
92			
93	020.0257	Capacitance	1
94	032t.0009	Spacer	1
95	055T+.0001	Front panel ECO.55S+/T	1
96	BY20.0006B	Motor switch 220V	1
	BY20.0006C	Motor switch 110V	
97	020.0017	Fuse 5 x 20 F2A	1
98	020.0016	Fuse holder	1
99	100.0152	R/L switch (push) 1800W	1
100	020.0206	LED indicator set	1
101	020.0011/1	Magnet switch	1
102	050T.1009	Potentiometer (turn) knob	1
103	020.0112	Washer M6	4
104	100.1008	Sensor	1
105	055.1041	Gyroscope PCB set	1

No.	Part no.	Description	Qty
106	050T.1022	Magnet 220 Volt	1
	050T.1022A	Magnet 110 Volt	
200	055T+.2010	Case ECO.55S+/T with sticker	1
201	KSP.Q2	Coolant tank Quick Connect 2015	1
202	IBO.0.2L	Bottle 0.2LTR	1
203	SAF.300	Protective gloves	1
204	SAF.400	Safety chain (1 mtr) with lock	1
205	SAF.100	Safety goggles	1
206	SAF.200	Ear plugs	1
207	KSP.P	Pin and knob for cooling tank	1
208	IMB.US2.5	Allen key 2.5 mm	1
209	IMB.US3	Allen key 3.0 mm	1
210	IMB.US4	Allen key 4.0 mm	1
211	IMB.US5	Allen key 5.0 mm	1
212	DRIFT3	Drift MT3	1
213	IMC.30/19-N	Arbor MT3 - 19.05 (3/4") Weldon	1
214	SAF.MDMB	Safety guard for ECO.50	1
215	020.0223	Screw M5 x 10	2
217	TCM.10D376	Tap holder DIN376 M10 Ø7	1
218	TCM.12D376	Tap holder DIN376 M12 Ø9	1
219	TCM.14D376	Tap holder DIN376 M14 Ø11	1
220	TCM.16D376	Tap holder DIN376 M16 Ø12	1
217	TCM.3/8ANSI	Tap holder ANSI 3/8"	1
218	TCM.7/16ANSI	Tap holder ANSI 7/16"	1
219	TCM.1/2ANSI	Tap holder ANSI 1/2"	1
220	TCM.5/8ANSI	Tap holder ANSI 5/8"	1
	IBO.G101	Gearbox oil 1 LTR	1
	IBO.6001	Tapping oil 1 LTR	1
	IBP.70	Cutting paste 1 LTR	1