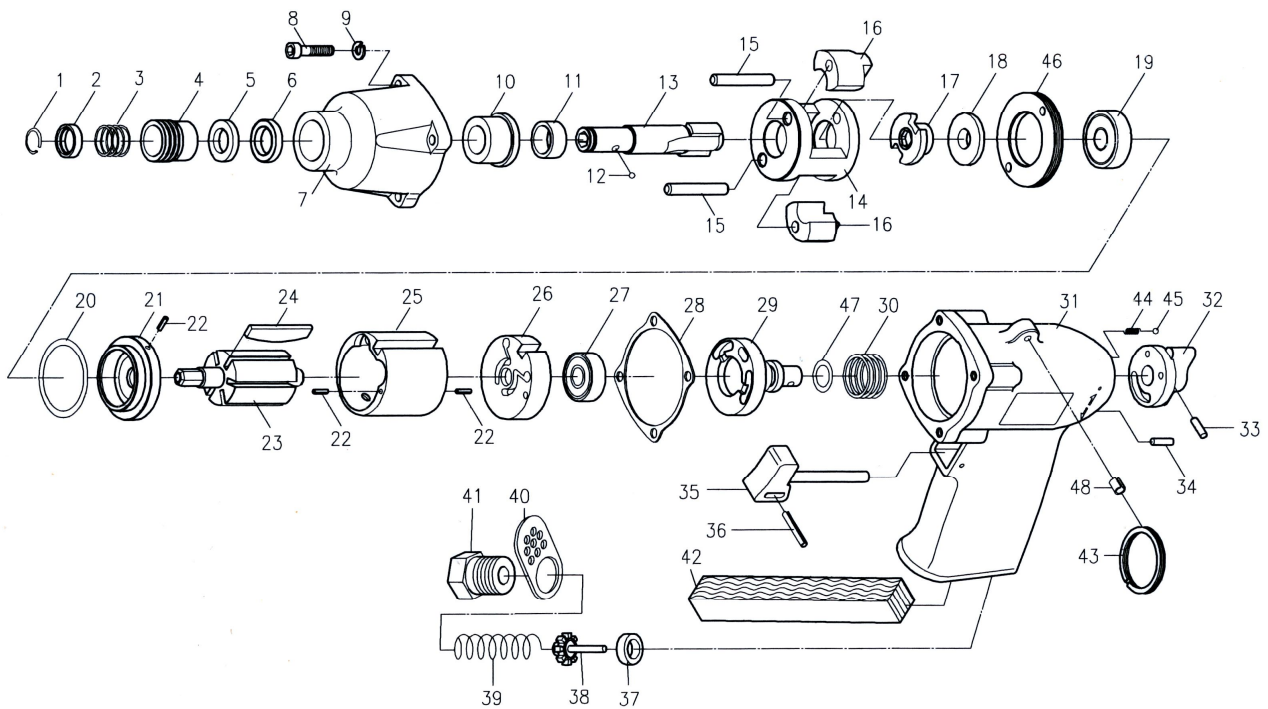


# 1/4" AIR SCREWDRIVER



A15-M1504

Index No.	Part No.	Description	Q'ty	Index No.	Part No.	Description	Q'ty
1	757-026	Anvil Collar	1	26	757-009	Rear End Plate	1
2	757-025	Holder Spacer	1	27	00-2322	Ball Bearing	1
3	757-027	Spring	1	28	757-022-B	Gasket	1
4	757-024	Quick Change Holder	1	29	767-019	Reverse Valve	1
5	757-023	Washer	1	30	767-020	Spring	1
6	00-4204	Oil Seal	1	31	767-001	Motor Housing	1
7	757-002	Hammer Case	1	32	767-021	Reverse Valve Knob	1
8	00-0317	Cap Screw	4	33	00-3319	Spring Pin	1
9	00-1801	Spring Washer	4	34	00-3304	Spring Pin	1
10	240-010A-B	Anvil Bushing	1	35	306-025	Trigger	1
11	757-029	Spacer	1	36	00-3326	Spring Pin	1
12	00-3813	Steel Ball	2	37	305C-022	Bushing	1
13	757-011CH	Anvil	1	38	305C-021	Valve Stem	1
14	757-012	Hammer Cage	1	39	767-028	Spring	1
15	757-016	Hammer Pin	2	40	767-026	Exhaust Deflector	1
16	757-015	Hammer Dog	2		767-023A	Air Inlet (1/4" PF)	
17	757-013	Cam	1	41	767-023B	Air Inlet (1/4" PT)	1
18	757-019	Rear Washer	1		767-023C	Air Inlet (1/4" NPT)	
19	00-2331	Ball Bearing	1	42	767-027	Muffler	1
20	00-4156	O-Ring	1	43	767-022	Hanger	1
21	757-005	Front End Plate	1	44	301-034	Spring	1
22	00-3325	Spring Pin	3	45	00-3805	Steel Ball	1
23	757-007	Rotor	1	46	757-033	Clamp Screw	1
24	757-008	Rotor Blade	6	47	00-4118	O-Ring	1
25	757-006	Cylinder	1	48	00-3342	Spring Pin	1

Remark: Please do use the correct bit as recommended size in order to extend the life of tool.

